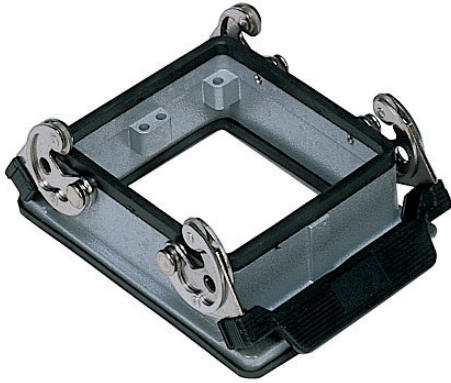


Part number
CHI 32



Brief description:

bulkhead mounting housings with 2 levers, size "77.62", metal version, IP66



Product description	
Version	metal version
Series	bulkhead mounting housings with 2 levers
Product type	with 2 levers
Family	CLASS enclosures
Size	size "77.62"
Technical data	
Material	metal
IP degree of protection	IP66 (and IP69K DIN 40050 - 9)
Further technical details	
Weight	256,00 g

Approvals / Standards	
Quality mark	UL (type:4/4X/12), CE, EAC
Conformity	CQC, CE
General ordering information	
EAN13 code	8015747018494
Tariff number	85369095
Packaging Information	
Packaging length	150,00 mm
Packaging height	125,00 mm
Packaging width	225,00 mm
Packaging weight	1,20 kg
Packaging volume	4,22 dm ³
Packaging description	Carton box
Packaging quantity	4 Pcs
Packaging EAN code	8015747212854
Sub-packaging weight	0,30 kg
Sub-packaging description	Plastic packaging
Sub-packaging quantity	1 Pcs
Sub-packaging EAN barcode	8015747018517

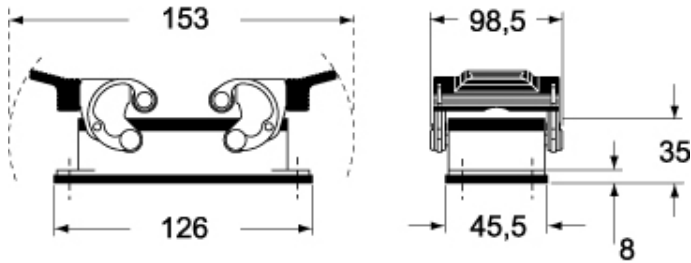
Part number

CHI 32

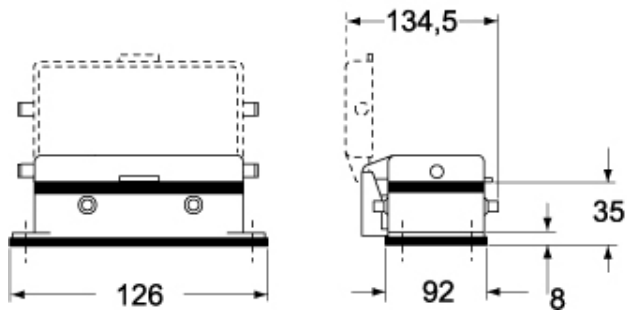


Catalogue drawings

CHI



CHI CS/CP



Catalogue drawings

